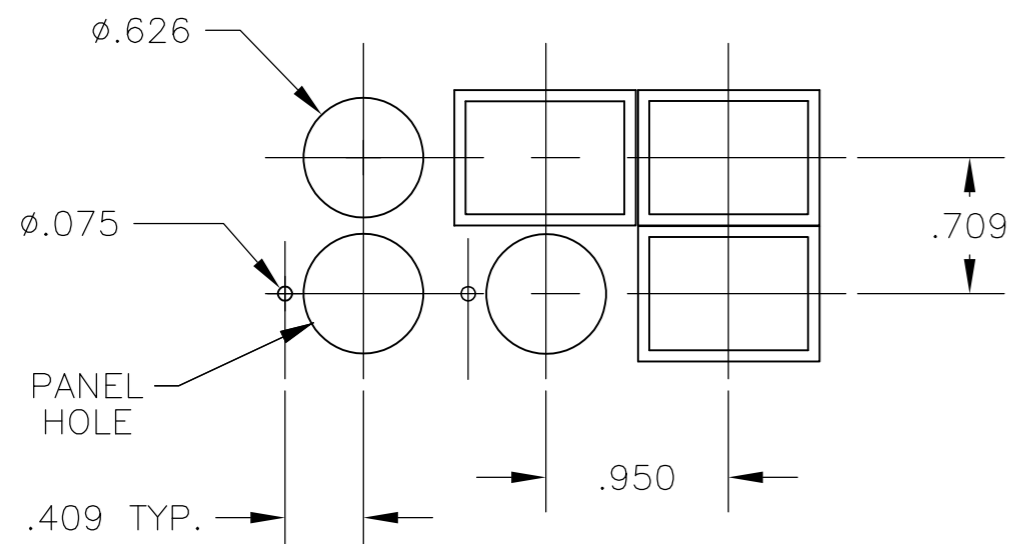
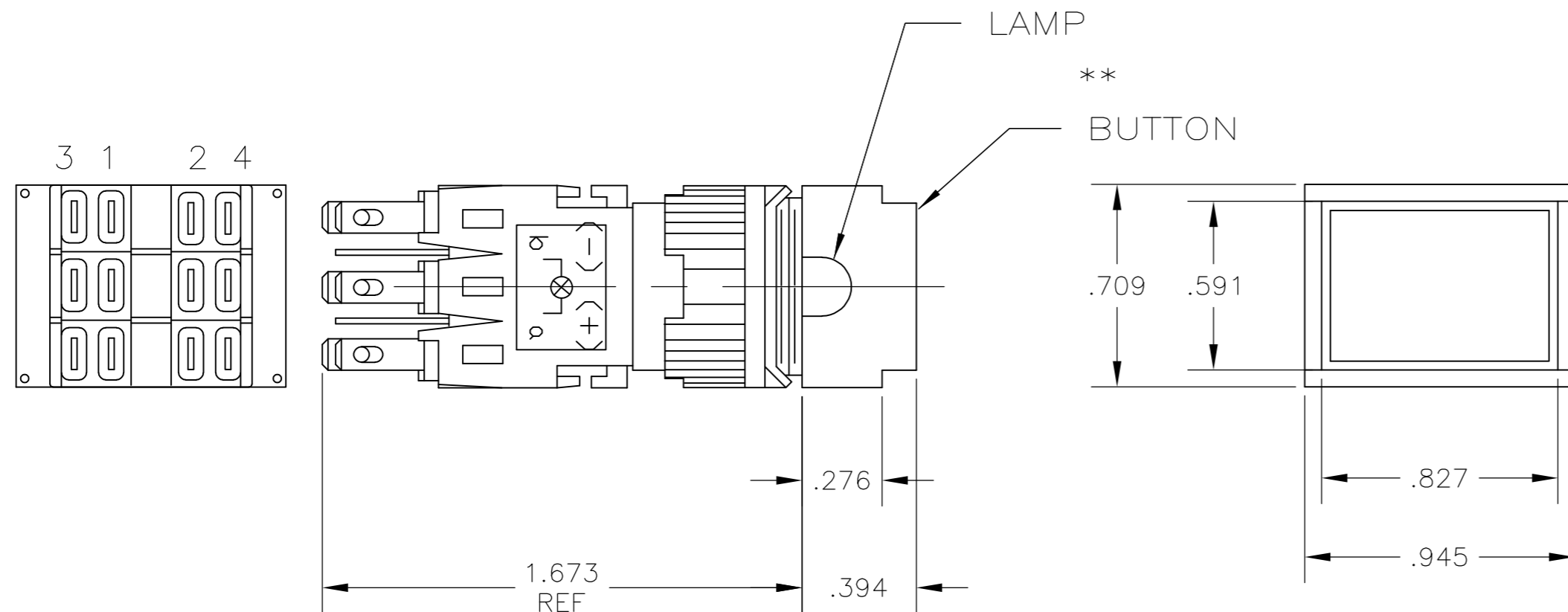


THIS DRAWING IS UNPUBLISHED. RELEASED FOR PUBLICATION  
 © COPYRIGHT BY TYCO ELECTRONICS CORPORATION. ALL INTERNATIONAL RIGHTS RESERVED.

LOC		DIST		REVISIONS			
P	LTR	DESCRIPTION	DATE	DWN	APVD		
AD	00	A1	REVISED PER ECO-10-000290	07JAN11	HMR	MW	



RECOMMENDED HOLE LAYOUT  
 TOLERANCE +/- .002

SPECIFICATIONS:

MATERIALS:

MOVING CONTACT: COPPER ALLOY, GOLD PLATE OVER SILVER CLAD.  
 FIXED CONTACT: COPPER ALLOY, GOLD PLATE OVER SILVER CLAD.

ELECTRICAL:

CONTACT RATING: .04VA @ 20VDC OR PEAK AC.  
 5 AMPS @ 250VAC OR 24VDC (RESISTIVE).  
 INITIAL CONTACT RESISTANCE: 20 MILLIOHMS MAX.  
 INSULATION RESISTANCE: 100 MEGOHMS MINIMUM.  
 DIELECTRIC STRENGTH: 1500 VOLTS RMS @ SEA LEVEL.  
 LIFE EXPECTANCY: 100,000 CYCLES.

ENVIRONMENTAL:

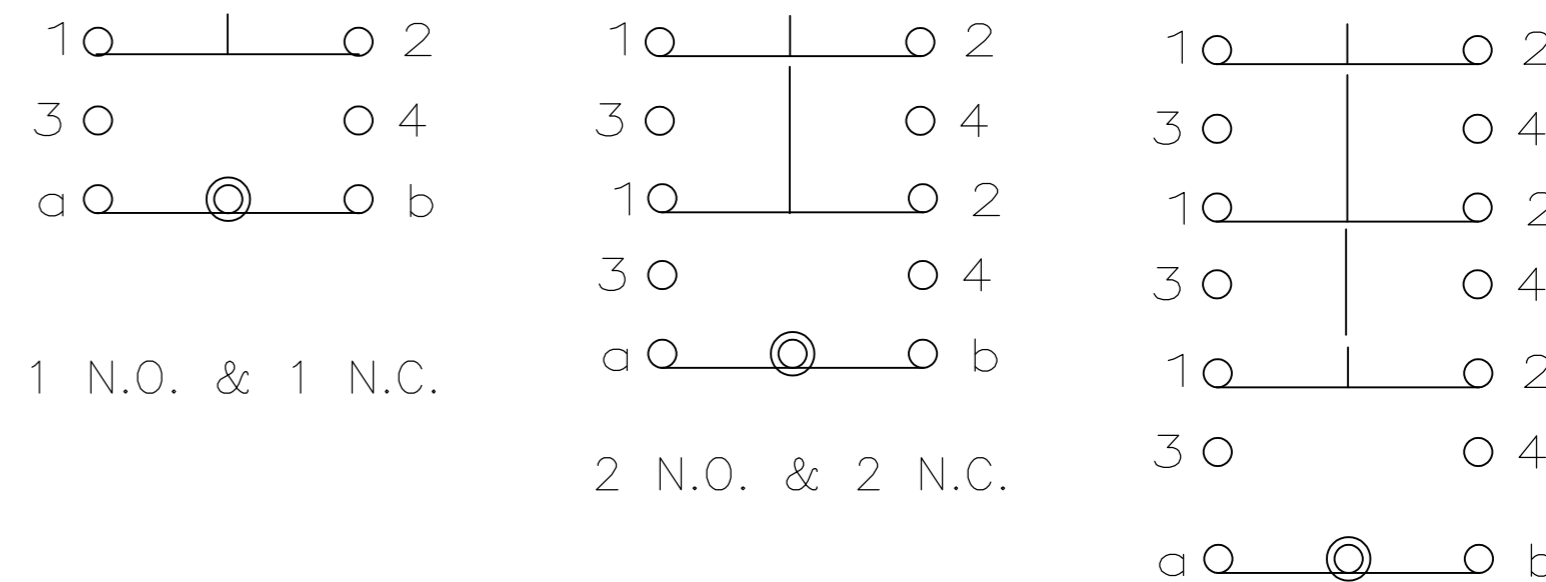
OPERATING TEMPERATURE: -4°F TO +122°F  
 (-20°C TO +50°C)  
 STORAGE TEMPERATURE: -4°F TO +122°F  
 (-20°C TO +50°C)

- INTERPRET DRAWING PER ASME Y14.5M-1994.
- OILTIGHT MODELS MEET NEMA 1, 12, 13 REQUIREMENTS.
- UL RECOGNIZED E-51302.
- PANEL THICKNESS: NON-OILTIGHT = 0.230 MAX.  
OILTIGHT = 0.210 MAX.

\*\* ORDER BUTTON AND LAMP SEPARATELY: SEE DWG NO. 80810 & 80811

- 5 THE PLATINGS CONTAINED IN THIS PART SHALL CONTAIN NO LEAD.
- 6 PRELIMINARY PART

5	1571545-5		165TL511	1 N.O. & N.C.	PUSH ON/PUSH OFF
5	1571545-4		165TL11	1 N.O. & N.C.	MOMENTARY
5	1571545-3	164TL522		2 N.O. & N.C.	PUSH ON/PUSH OFF
5	1571545-2	164TL22		2 N.O. & N.C.	MOMENTARY
5	1571545-1	164TL11		1 N.O. & N.C.	MOMENTARY
5	5-1437569-8		165TL533	3 N.O. & N.C.	PUSH ON/PUSH OFF
5	5-1437569-7		165TL522	2 N.O. & N.C.	PUSH ON/PUSH OFF
5	5-1437569-6		165TL511	1 N.O. & N.C.	PUSH ON/PUSH OFF
			165TL33	3 N.O. & N.C.	MOMENTARY
5	5-1437569-5		165TL22	2 N.O. & N.C.	MOMENTARY
5	5-1437569-4		165TL11	1 N.O. & N.C.	MOMENTARY
	147521-1		165TL	-	MOMENTARY
4	4-1437569-0	164TL533		3 N.O. & N.C.	PUSH ON/PUSH OFF
3	3-1437569-9	164TL522		2 N.O. & N.C.	PUSH ON/PUSH OFF
3	3-1437569-8	164TL511		1 N.O. & N.C.	PUSH ON/PUSH OFF
3	3-1437569-7	164TL5		-	PUSH ON/PUSH OFF
3	3-1437569-6	164TL33		3 N.O. & N.C.	MOMENTARY
3	3-1437569-5	164TL22		2 N.O. & N.C.	MOMENTARY
3	3-1437569-4	164TL11		1 N.O. & N.C.	MOMENTARY
3	3-1437569-3	164TL		-	MOMENTARY
TE PART No.	MODEL NON OILTIGHT	MODEL OILTIGHT	CONTACTS	ACTION	



CONTACT DIAGRAM  
 (BUTTON NOT DEPRESSED) 3 N.O. & 3 N.C.  
 WAS 80865

THIS DRAWING IS A CONTROLLED DOCUMENT.		DWN LM 2-23-89	Tyco Electronics Corporation Harrisburg, PA 17105-3608	
DIMENSIONS: INCHES		CHK TH 3-22-89	NAME 164/165 TL SERIES ILLUMINATED PUSHBUTTON	
TOLERANCES UNLESS OTHERWISE SPECIFIED:		APVD CF 3-22-89	SIZE CAGE CODE DRAWING NO RESTRICTED TO	
0 PLC ± -		PRODUCT SPEC -	A2 00779 C-3-1437569-4	
1 PLC ± -		APPLICATION SPEC -	SCALE 1:1 SHEET 1 OF 1 REV A1	
2 PLC ± -		WEIGHT -	CUSTOMER DRAWING	
3 PLC ± .010				
4 PLC ± -				
ANGLES ± -				
FINISH -				